

THIS DRAWING IS UNPUBLISHED.

RELEASED FOR PUBLICATION

20

LOC X53

DIST -

REVISIONS

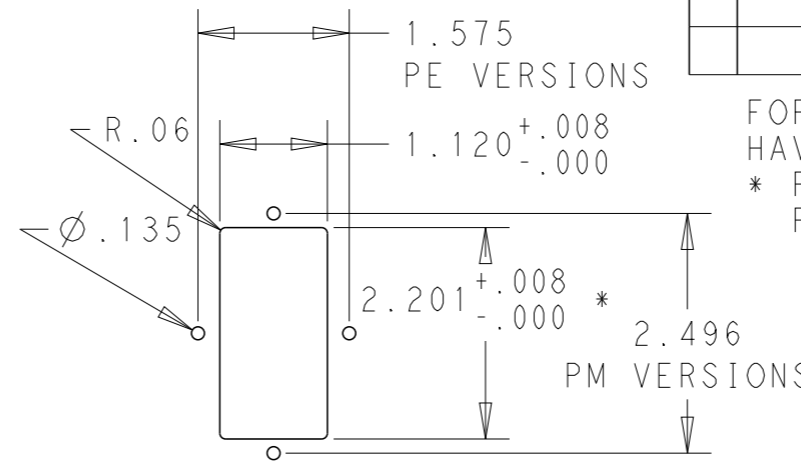
© COPYRIGHT 20 BY - ALL RIGHTS RESERVED.

P	LTR	DESCRIPTION	DATE	DWN	APVD
	A	ECO-10-017557	10JAN2012	EC	EC

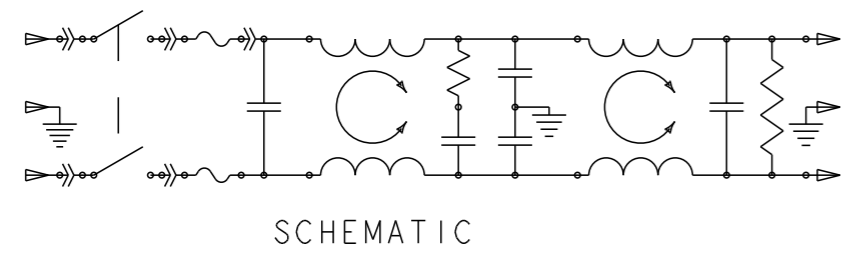
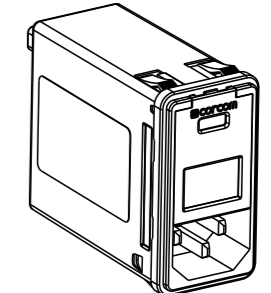
MINIMUM INSERTION LOSS, 50Ω LINE AND LOAD IMPEDANCES						
LINE TO GROUND (COMMON MODE)						
CURRENT RATING	FREQUENCY, MHz					
	.15	.5	1	3	10	30
3 AMP	50	60	60	49	40	30
6 AMP	34	58	58	47	37	30
10 AMP	6	35	45	45	38	30

LINE TO LINE (DIFFERENTIAL MODE)						
CURRENT RATING	FREQUENCY, MHz					
	.15	.5	1	3	10	30
3 AMP	25	60	60	53	45	40
6 AMP	9	50	62	54	46	40
10 AMP	10	20	59	54	48	40

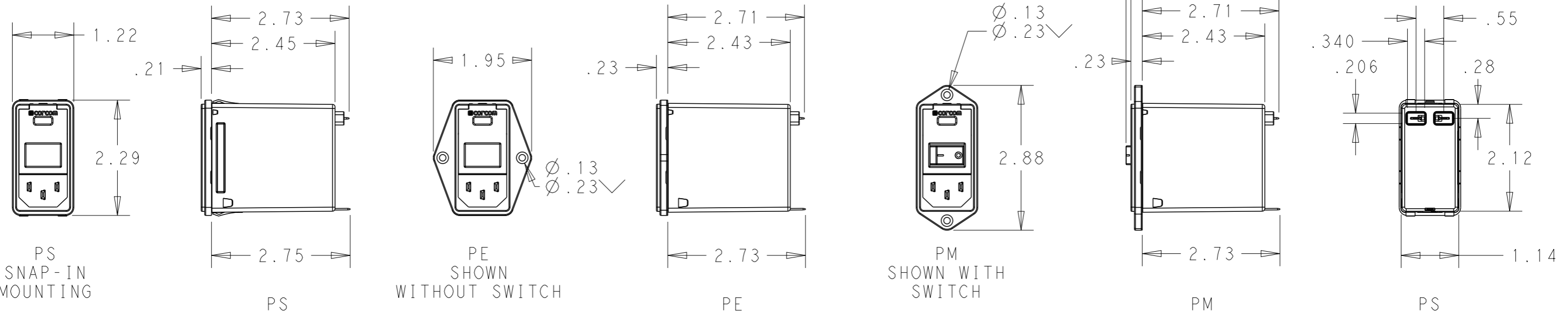
PANEL CUT-OUT



FOR PS VERSIONS THE SHORT EDGES MUST HAVE R.02 ON INSERTION SIDE.
 * FOR PANEL THICKNESS 0.031-0.079 USE 2.201
 FOR PANEL THICKNESS 0.083-0.114 USE 2.213.



SCHEMATIC



PS SNAP-IN MOUNTING

PS

PE SHOWN WITHOUT SWITCH

PE

PM SHOWN WITH SWITCH

PM

PS

PART NUMBER SYSTEM



MOUNTING STYLE
 S = SEE ABOVE
 E = SEE ABOVE
 M = SEE ABOVE

CURRENT
 3 = 3 AMP
 6 = 6 AMP
 X = 10 AMP


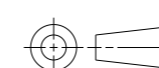
SWITCH OPTIONS
 0 = NONE
 S = DOUBLE POLE, SINGLE THROW

PSOS0SM6E EXAMPLE:
 SNAP-IN MOUNTING
 WITH SWITCH
 SINGLE FUSING
 6 AMP
 0'S ARE ZEROS.

FUSE LOCATIONS
 D = DUAL FUSING
 S = SINGLE FUSING
 INCLUDES CONVERSION CLIP

HIPOT RATING (ONE MINUTE)
 LINE TO GROUND: 1500 VAC
 LINE TO LINE: 1450 VDC
 OPERATING FREQUENCY: 50/60 Hz
 RATED VOLTAGE: 120/250 VAC
 FUSING: ACCEPTS 3AG Ø 1/4" X 1-1/4"
 OR METRIC Ø 5 mm X 20 mm
 OPERATING AMBIENT TEMP: -10°C TO 40°C
 STORAGE TEMPERATURE: -40°C TO 85°C

MAX LEAKAGE CURRENT .25mA @ 120V 60Hz
 PER LINE TO GROUND: .50mA @ 250V 60Hz
 HUMIDITY: 21 DAYS, 40°C @ 95%RH
 CURRENT OVERLOAD: 6X RATED FOR 8 SEC
 SWITCH: 10K CYCLES @ 51 AMP INRUSH
 TERMINALS: 0.187" X .032 FASTON TABS
 SAFETY AGENCIES: UL RECOGNIZED, CSA CERTIFIED, VDE APPROVED.

THIS DRAWING IS A CONTROLLED DOCUMENT.		DWN EC 20DEC2011	 TE Connectivity	
		CHK - 20DEC2011		
DIMENSIONS: INCHES		APVD EC 20DEC2011	NAME	
		PRODUCT SPEC	MEDIUM P SERIES SWITCHED, FUSED, 2-STAGE FILTERED INLET	
TOLERANCES UNLESS OTHERWISE SPECIFIED:		APPLICATION SPEC	RESTRICTED TO	
0 PLC ±.2 1 PLC ±.1 2 PLC ±.02 3 PLC ±.005 4 PLC ±.0005 ANGLES ±1		WEIGHT	SIZE A3	CAGE CODE 00779
MATERIAL - FINISH -		CUSTOMER DRAWING	DRAWING NO	© MEDIUM-P-SERIES
		SCALE 1:2	SHEET 1 OF 1	REV A